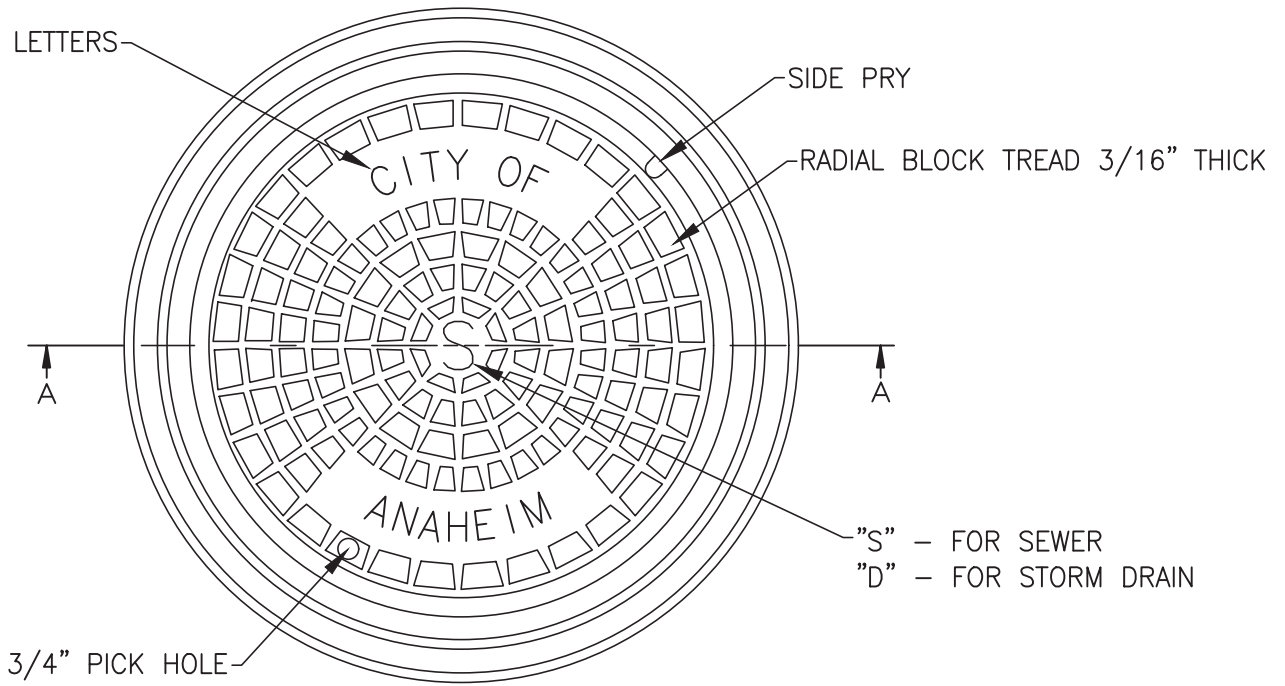


2-1/2" TALL LETTERS

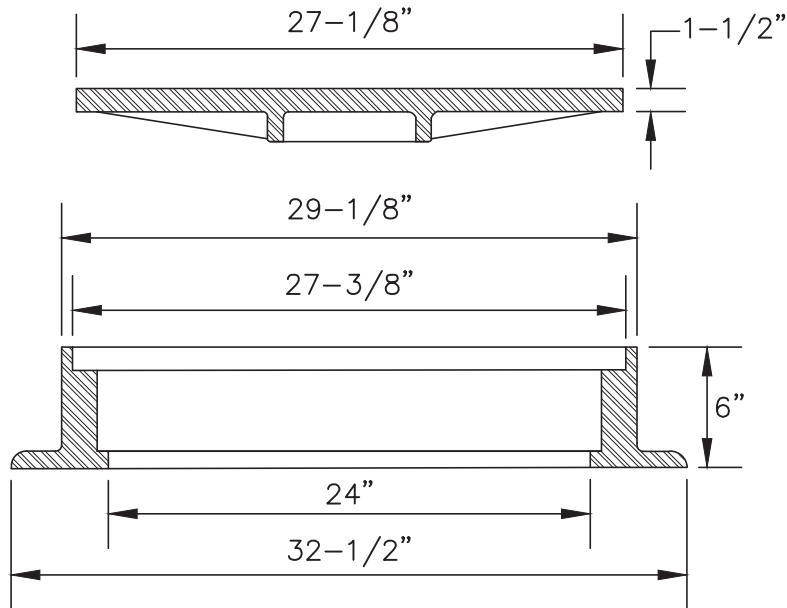
SIDE PRY

RADIAL BLOCK TREAD 3/16" THICK



"S" - FOR SEWER
 "D" - FOR STORM DRAIN

3/4" PICK HOLE



SECTION A-A

24" MANHOLE FRAME AND COVER NON LOCKING TYPE



REVISIONS			
No.	DATE	No.	DATE
1	09/09		
2	07/22		

[Signature]
 CITY ENGINEER

7/12/22
 DATE

[Signature]
 DIRECTOR OF PUBLIC WORKS

7/12/22
 DATE

STANDARD DETAIL

630

SHEET 1 OF 2

DEPARTMENT OF PUBLIC WORKS


NOTES:

1. THE CAST IRON MATERIAL AND COATING SHALL CONFORM TO ASTM A48 CLASS 35B
2. COVERS SHALL BE CAST WITH THE LETTER "D" FOR STORM DRAINS AND "S" FOR SEWERS, AND THE AGENCY'S IDENTIFICATION "CITY OF ANAHEIM" IN ACCORDANCE WITH INSTRUCTIONS FURNISHED BY THE AGENCY. THE LETTER "D" OR "S" SHALL BE APPROXIMATELY 65 mm (2 1/2") HIGH WITH 15mm (1/2") LINE WIDTH, AND PLACED IN THE CENTER OF THE COVER. ALL LETTERS SHALL BE FLUSH WITH THE FINISHED SURFACE OF THE COVER.
3. FOUNDRY IDENTIFYING MARK, HEAT AND DATE SHALL BE CAST ON THE BOTTOM OF THE COVER AND ON THE INSIDE OF THE FRAME.
4. WEIGHT OF FRAME SHALL BE 257 LBS. WEIGHT OF COVER SHALL BE 190 LBS. ACTUAL WEIGHTS SHALL BE WITHIN A RANGE OF 95% TO 110%.
5. THE PROOF-LOAD FOR TEST METHOD B OF SSPWC 206-3.2 IS 180 kN (40,700 LBS). A CERTIFICATE OF COMPLIANCE FROM THE SUPPLIER CONFORMING TO SSPWC 2021 EDITION, SECTION 4-5 PRIOR TO SHIPPING OF THE MANHOLE FRAME AND COVER SHALL BE SUBMITTED TO THE ENGINEER.
6. BEARING SURFACES MACHINED FOR CLOSE, QUIET FIT.
7. THE FINISH SHALL BE DIPPED IN BLACK BITUMINOUS PAINT.
8. MUST MEET H-20 WHEEL LOAD REQUIREMENTS.

24" MANHOLE FRAME AND COVER NON LOCKING TYPE



REVISIONS			
No.	DATE	No.	DATE
1	09/09		
2	07/22		



 CITY ENGINEER

7/12/22
 DATE



 DIRECTOR OF PUBLIC WORKS

7/12/22
 DATE

STANDARD DETAIL
630
 SHEET 2 OF 2

DEPARTMENT OF PUBLIC WORKS