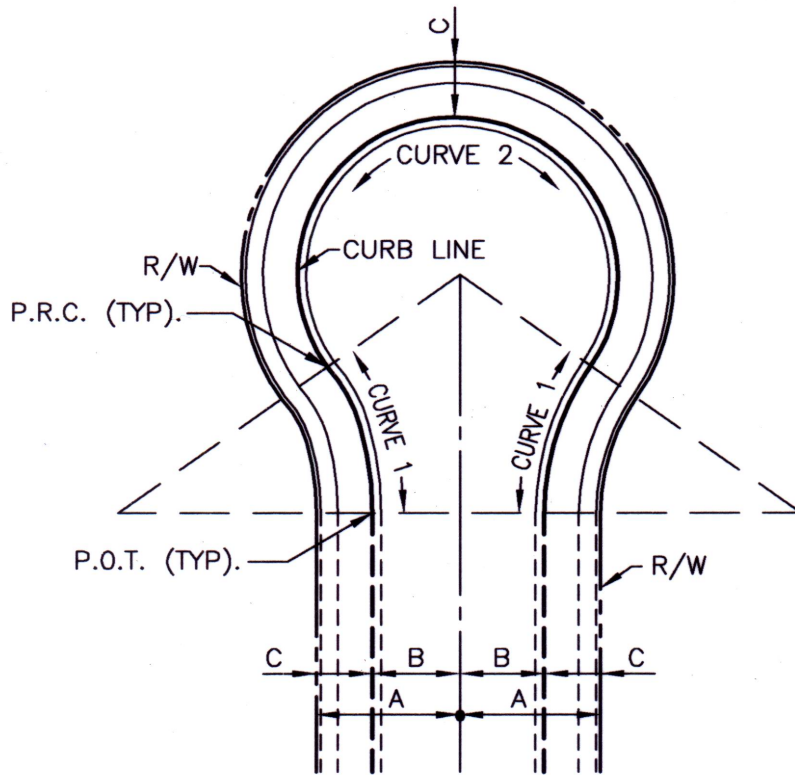


	STREET SECTION				CURVE 1 RADIUS		CURVE 2 RADIUS	
	R/W	A	B	C	CURB	R/W	CURB	R/W
INTERIOR	60'	30'	18'	12'	62'	50'	38'	50'
INTERIOR (IND.)	76'	38'	26'	12'	62'	50'	38'	50'
HILLSIDE INTERIOR	46'	23'	13'	10'	62'	52'	38'	48'
HILLSIDE INTERIOR	56'	28'	18'	10'	62'	52'	38'	48'



PLAN VIEW

NTS

REC'D	<i>[Signature]</i>	1/12/04	APP.	<i>[Signature]</i>	1-13-04		
	DEPUTY CITY ENGINEER	DATE		D.P.W. / CITY ENGINEER	DATE	REVISED	BY

CITY OF ANAHEIM DEPARTMENT OF PUBLIC WORKS

STREET CUL-DE-SAC LAYOUT

STANDARD DETAIL NO.

166

USE WITH STANDARD SPECIFICATIONS FOR PUBLIC WORKS CONSTRUCTION

SHEET 1 OF 1